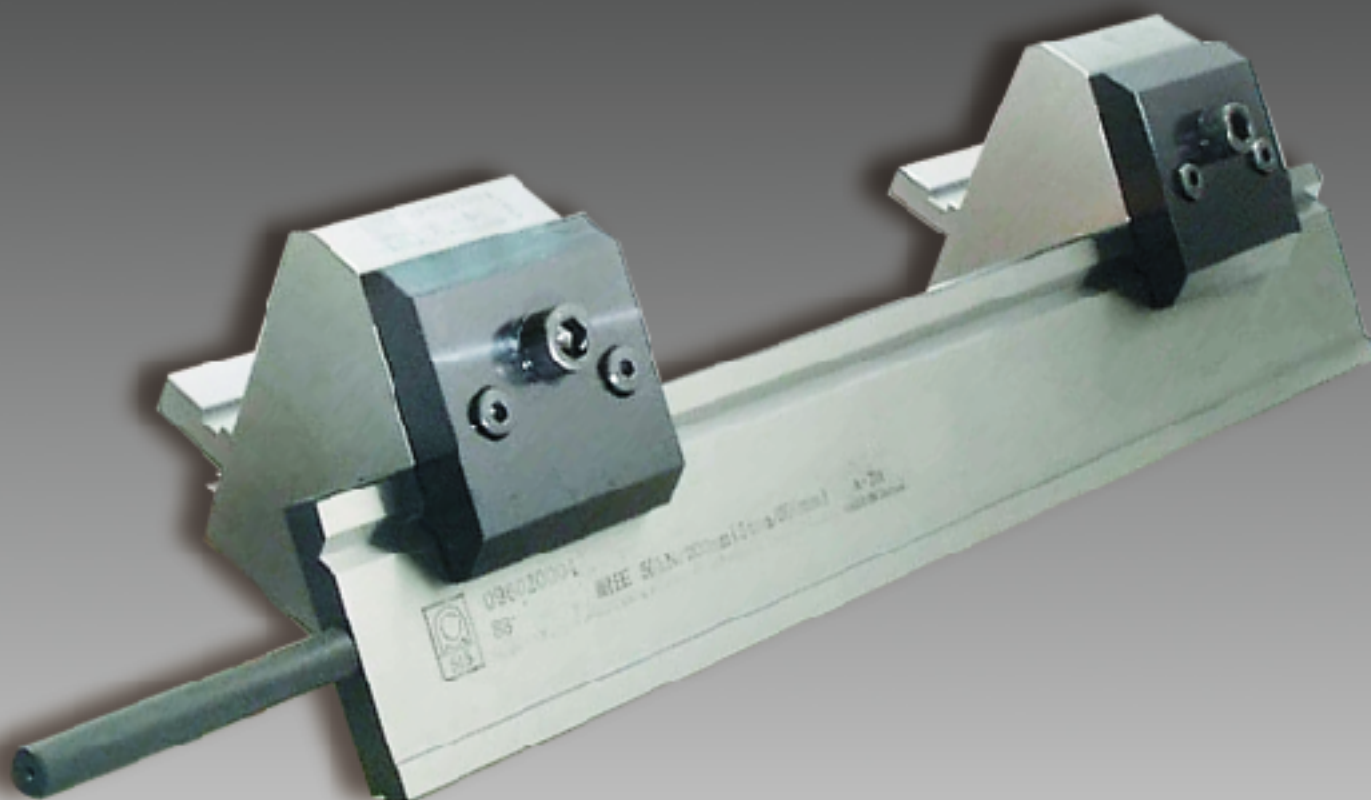


Long Blade Punch



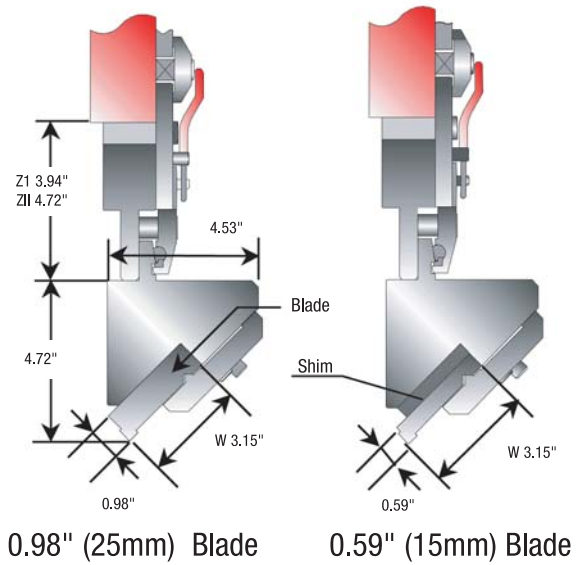
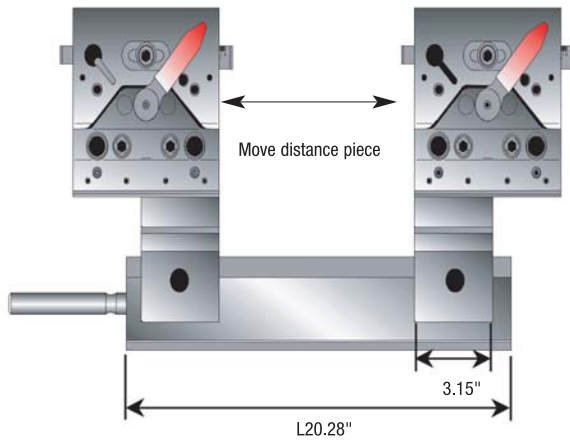
To Suit Deep Or Closed Bends



- *SUPERIOR STRENGTH BLADE BY RECTANGULAR SHAPE CONSTRUCTION*
- *ABILITY TO PRODUCE DEEPER BENDS COMPARED WITH USING STANDARD GOOSENECK PUNCH*
- *TWO DIFFERENT BLADE SIZES AVAILABLE*
- *BLADE SLIDES OUT TO REMOVE CLOSED COMPONENT*



Specification



0.98" (25mm) Blade Specification

Max. Work Size	9.45" (only max. material used) N.B.2
Max. Material	CRS steel 13ga; St. steel 16ga; AL. 11ga
Allowable Tonnage	80kN/7.87" (8ton/7.87")
Blade Size	H0.98" x W3.15" x L20.28"
Punch Angle	88°
Punch Radius	0.2R
Weight	Approx. 40lb

0.59" (15mm) Blade Specification

Max. Work Size	7.87" (only max. material used) N.B.1
Max. Material	CRS steel 16ga; St. steel 19ga; AL. 14ga
Allowable Tonnage	50kN/8.87" (5 ton/8.87")
Blade Size	H0.59" x W3.15" x L20.28"
Punch Angle	88°
Punch Radius	0.2R
Weight	Approx. 35lb

Return Bend Limit (For ZII type)

Blade	(A)	(B) (Max)	Work Size (C)
0.59" (15 mm)	0.59"	9.45"	7.87"
	0.79"	9.45"	
0.98" (25mm)	1.18"	9.25"	9.45"
	1.57"	9.25"	
	1.97"	9.06"	
	2.36"	9.06"	
	2.76"	8.86"	

Work Size

